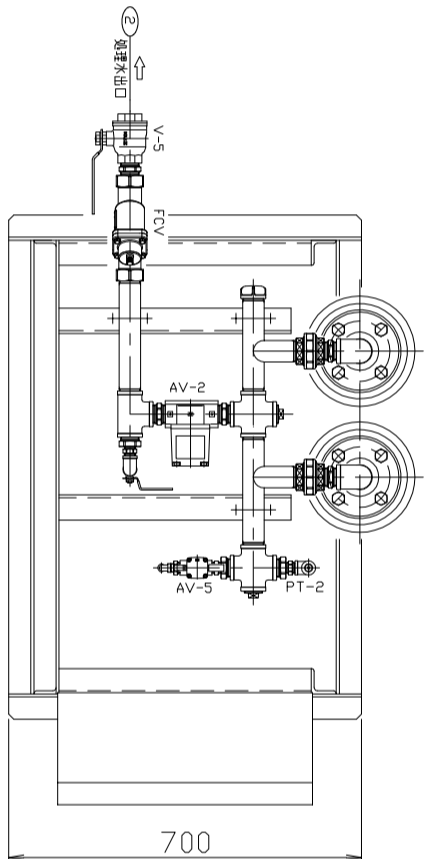
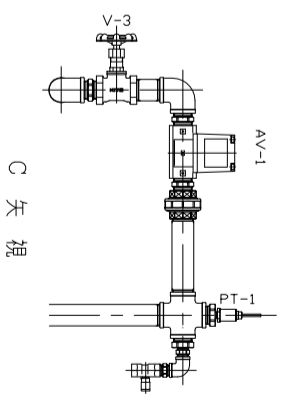


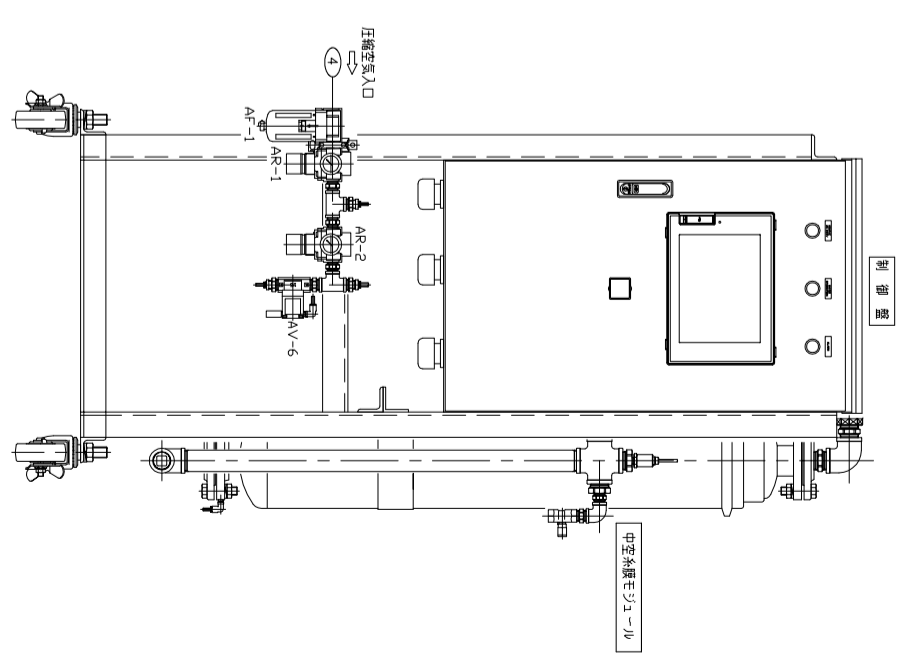
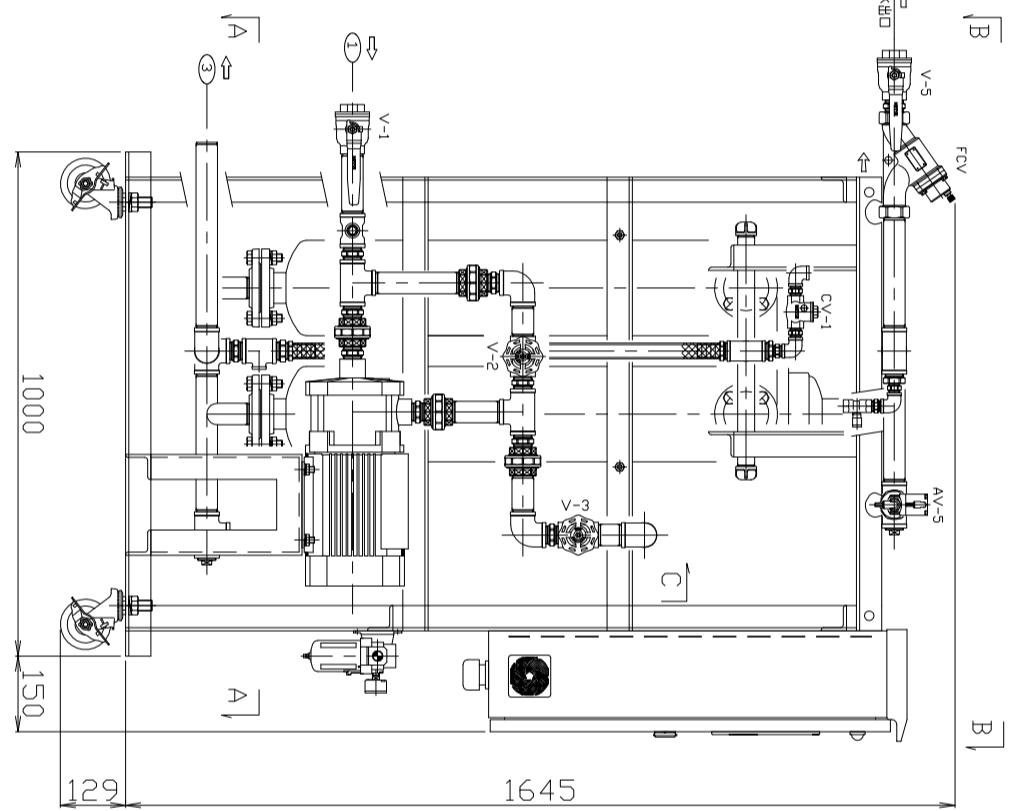
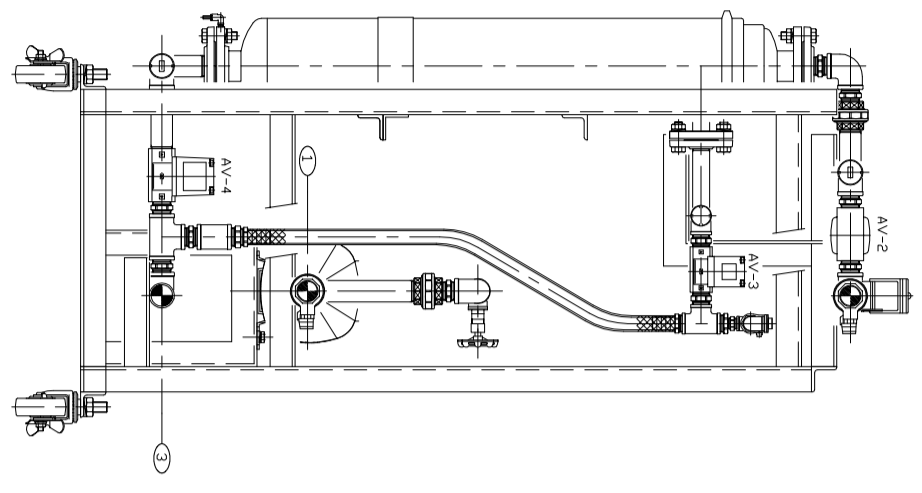
A - A 矢視



B - B 矢視



C 矢視



No.	Revision	Date	Dwg.	App.
3				
2				
1				

Messrs.

Scale 1/15 Date 2012/12/4 Title

App. Chk. Eng. Dwg.

KOMATSU MIURA MYAMOTO NOMA

GR-2 外形図

Dwg No.

Size A3

KURARAY AQUA CO., LTD.

Rev.